

LOGSET 4F GT

COMPACT AND POWERFUL 10-TON THINNING FORWARDER

Logset 4F GT is the smallest forwarder in the Logset machine range. The machine has a loading capacity of 10 tons, and it is especially designed for thinning operations in dense forests. Due to its small size, the Logset 4F GT literally floats on various types of terrain with minimum ground damage.

Although the Logset 4F GT is a compact forwarder, it is powerful: the 4.9-litre AGCO Power engine develops 125 kW (170 hp). Two Mesera crane types with different lifting moments: 91 kNm or 99 kNm are available for this forwarder. Both crane models have three different telescope options for a customized crane length.

The cabin is efficiently insulated from noise and the surrounding large windows allow an excellent visibility on all tires as well as in all directions. With the user-friendly TOC 2 control system the operator can operate both crane and transmission with an incredible precision. The operator can work fast and efficiently without strain. The automatic cruise control allows the driving speed to be easily adjusted with a potentiometer. The constant driving speed facilitates the operator's work and results in lower fuel consumption. Easy access for service jobs and a large fuel tank minimize production time loss.

LOGSET GT Forwarder



Forwarder range 01/18 - EN
We reserve the right to make changes without prior notice.
All technical specifications are for guidance only.
The pictures and diagrams do not always show standard versions of the machines.
Copyright Logset Oy.



LOGSET

LOGSET Oy
Hännisentie 2
FI-66530 Koivulahti
FINLAND
Tel. +358 10 286 3200

LOGSET
SIMPLY BETTER
www.logset.com

SIMPLY BETTER

LOGSET

Eight advantages with the Logset forwarder

ENGINE

The diesel engines used in the Logset forwarder range have the best combination of excellent fuel economy and outstanding power. The engine has the latest SCR technology, so it is environmentally friendly.

CABIN

The cabin offers first-class comfort and an unobstructed view when driving and loading. It is spacious and has various large storage compartments. The forwarder is easy to maneuver because the wheels are in sight.

CRANE

One of the main advantages of Mesera cranes is the boom geometry. The crane is especially designed for forwarders, so loading and unloading is comfortable and easy. The Mesera crane model 61 can reach from 7.2 to 10 meters, and develops a lifting moment of 91 kNm. The model 71 has the same reach, but with a lifting moment of 99 kNm. Both cranes are available in the 10-meter version, with integrated hoses as an option.

TOTAL OPERATION AND CONTROL SYSTEM 2 (TOC 2)

The forwarder is equipped with the user-friendly TOC 2 machine control system. Thanks to the control system, the operator saves a great deal of fuel and the driving experience is soft and smooth. The crane controls can be adapted for each operator to ensure a fast and accurate control of the crane.



FUEL AND HYDRAULIC TANKS

Thanks to the 200-liter fuel tank capacity, the operator can extend the work shift without refueling. The correct dimensioning of the oil tank in each machine model ensures a longer lifespan of the hydraulic components.

BOGIES

The machine is equipped with NAF bogies.

TRACTIVE EFFORT

The hydrostatic transmission gives the best performance even in difficult terrains. It is powerful, accurate and reliable.

LOAD BAY

The strong, adjustable and durable load bay carries more wood than ever before. The machine has an adjustable load bay length ranging from 4.3 to 4.8 meters with a telescopic rear bunk.

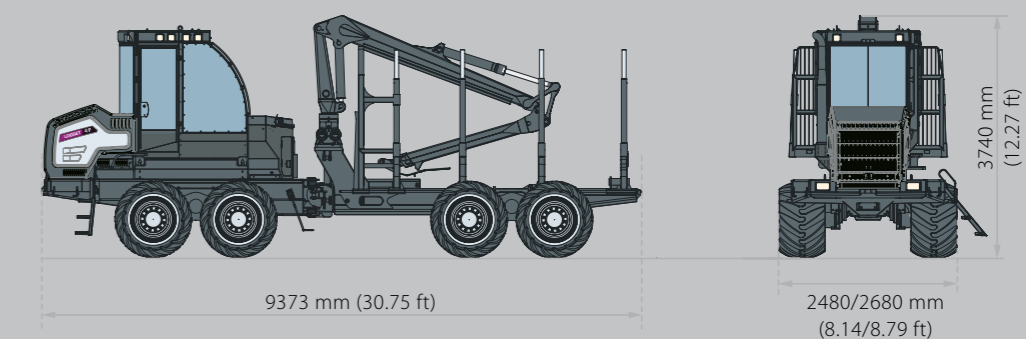
Technical data



| MODEL | 4F GT |
|---|---|
| DIMENSIONS | |
| Own weight from, kg | 13 500 (29,762.38 lbs) |
| Load capacity, kg | 10 000 (22,046.21 lbs) |
| Load area length, m | 4.3/4.8 (169.29/188.98 in) |
| ENGINE | |
| Type | AGCO Power 49 AWF |
| Stage | EU Stage IV / EPA Tier 4 final |
| Power at 1900 rpm, kW | 127 (173 hp) |
| Torque at 1500 rpm, Nm | 750 (553.17 ft lb) |
| Fuel tank, l | 205 (54 US gal) |
| DEF tank, l | 27 (7 US gal) |
| TRANSMISSION | |
| Type | Hydrostatic mechanical |
| Tractive effort, kN | 135 (30,349.21 lbf) |
| Gear box | 2 gears |
| HYDRAULIC SYSTEM | |
| Pump size, cm ³ | 140 |
| Pressure, Mpa | 21.5 (3,118.31 psi) |
| Oil tank, l | 175 (46 US gal) |
| CABIN | |
| Control system: TOC 2 • Battery Voltage: 24V • Safety tested and approved cabin | |
| WHEELS | |
| Tyres | 710/40-22.5 |
| CRANE OPTIONS | |
| Crane | Mesera 61, Mesera 71 |
| Lifting capacity, kNm | 91/99 (67,118.16 ft-lb/73,018.65 ft lb) |
| Reach options, m | 7.2/8.5/10 (23/27/32 ft) |
| Rotator, ° | 360 |
| OPTIONAL EQUIPMENT | |

Bulldozer blade • Diesel heater • Crane tilt • Contact your local dealer for more information about other options

LOGSET 4F GT



SIMPLY BETTER

LOGSET